

# PROMICAM 3-3CC

2.8 Mpx Color CCD USB 3.0 Digital Camera  
for Microscopy and Macro Applications



PROMICAM 3-3CC 2.8 Mpx CCD USB 3.0 color digital camera provides high quality images with excellent color reproduction and sensitivity. This camera is suitable for wide range of microscopy as well as macro applications.

#### High Quality Images with Excellent Color Reproduction

PROMICAM 3-3CC camera provides crystal sharp high quality images with excellent color reproduction in 2.8 Mpx resolution.

#### Excellent Sensitivity and Dynamic Range

PROMICAM 3-3CC camera is equipped with a SONY® CCD sensor with global shutter, high sensitivity and dynamic range, which makes the camera suitable also for low light applications and moderate light fluorescence. The camera provides maximal exposure time 32 s.

#### High Live View Frame Rates Suitable for "Live Imaging" Applications

Modern USB 3.0 interface provides high live view frame rates, while CPU load remains low. Live view in full resolution can be displayed with frame rate up to 26 fps, lower resolutions (using ROI feature) with frame rate up to 38 fps.

#### Support in QuickPHOTO Programs

QuickPHOTO programs for digital photomicrography provide full control of camera's features, e. g.: live view display, manual and automatic exposure, white balance, black balance, gain, gamma, hue, shading correction, measurements in a live view and many more.

#### Main Features:

- 1/1.8" SONY® CCD sensor with global shutter
- 2.8 Mpx sensor resolution (1928 x 1448 pixels)
- High sensitivity and high dynamic range
- Excellent color reproduction
- Exposure time up to 32s
- Live view frame rate up to 26 fps in full resolution
- USB 3.0 interface
- Supported by QuickPHOTO programs

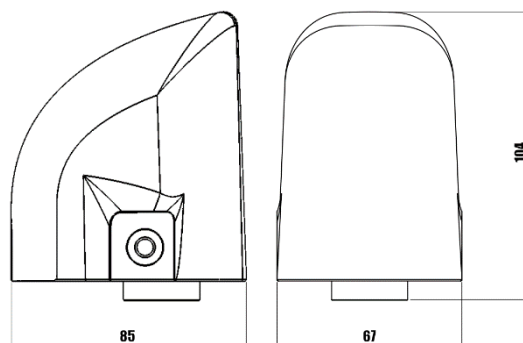
#### Suitable for Applications:

- Brightfield/Darkfield
- DIC
- Biology/Live Cell Imaging
- Moderate Light Fluorescence
- Gel Documentation
- Histology/Pathology/Cytology
- Metrology/Mineralogy/Metallurgy/Geology
- Quality Control/Semiconductor Inspection
- Documentation and Archiving
- Education

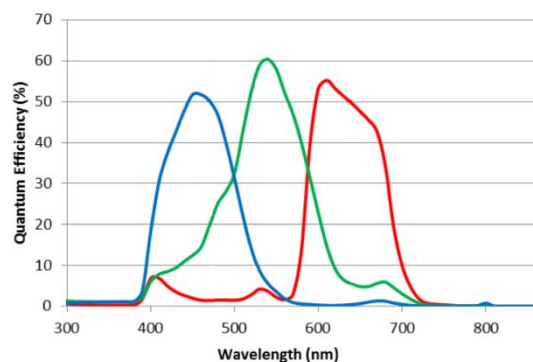


Sensor Specifications	
Sensor Type	Sony® CCD, color, global shutter
Sensor Size	1/1.8"
Pixel Size	3.69 x 3.69 µm
Resolution	1928 x 1448 pixels (2.8 Mpx)
Camera Specification (when used with QuickPHOTO programs)	
Image Resolution	1928 x 1448, 1920 x 1080, 1280x 1024, 1024 x 768, 964 x 724 pixels
Live View Resolution@Max. Frame Rate (fps)	1928 x 1448@26 fps 1920 x 1080 (Full HD - ROI)@32 fps 1280 x 1024 (ROI)@32 fps 1024 x 768 (ROI)@38 fps 964 x 724 (Binning)@26 fps
Lower Resolutions	Binning 2x2, ROI
Exposure Times	1/25 000 (40 µs) – 32 s
Gain	1 – 16x
Exposure Mode	Automatic, automatic-interactive, fluorescence (SFL Auto), manual
White Balance	Automatic, automatic-regional, manual
Black Balance	Automatic-regional, manual
Camera Characteristics	
Dynamic Range	60.24 dB
Saturation Capacity	10 346 e-
Quantum Efficiency (green color 525 nm)	56 %
Read Noise	9.68 e-
Max. Signal to Noise Ratio	39.36 dB
Interface	USB 3.0 SUPERSPEED 5 Gbit/s (backwards compatible with USB 2.0)
Mount	C-mount
Dimensions	67 x 85 x 104 mm
Weight	385 g
Minimal System Requirements	
Processor	Intel® Core i3
RAM	2 GB
Slot for USB 3.0 Interface Card	1x PCI EXPRESS 2.0 for desktop computers or 1x ExpressCard for laptops
Operating System	Microsoft® Windows® 7/8/8.1/10 (32bit or 64bit)
Recommended Computer Configuration	
Processor	Intel® Core i5 or better
RAM	4 GB
Slot for USB 3.0 Interface Card	1x PCI EXPRESS 2.0 for desktop computers or 1x ExpressCard for laptops
Operating System	Microsoft® Windows® 7/8/8.1/10 (64bit)

## Dimensions (mm):



## Quantum Efficiency:



## Sample Images:

