

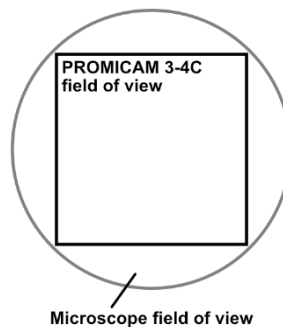
PROMICAM 3-4C

4.1 MP Color CMOS Microscope Camera Designed for Inspection and Documentation of Large Samples



Ultra Large Field of View

1" square optical format of the CMOS chip used in PROMICAM 3-4C USB 3.0 camera provides ultra large field of view, which optimally covers the field of view of a microscope. This feature makes the camera suitable for documentation of large samples, which would not fit to the field of view of conventional cameras.



Global Shutter

The sensor uses global shutter, which enables observation of fast moving objects without image distortion.

High Live View Frame Rates Suitable for "Live Imaging" Applications

Modern USB 3.0 interface provides high live view frame rates, while CPU load remains low. Live view in full 4.1 MP resolution can be displayed with frame rate up to 45 fps. Live view in Full HD (1920 x 1080 - using ROI feature) can be displayed with frame rate up to 84 fps.

Support in QuickPHOTO Programs

QuickPHOTO programs for digital photomicrography provide full control of camera's features, e. g.: live view display, manual and automatic exposure, white balance, black balance, gain, gamma, hue, shading correction, measurements in a live view and many more.

Main Features:

- CMOSIS CMOS square sensor with 1" diagonal
- Global shutter
- 4.1 MP sensor resolution
- High image quality
- Ultra large field of view
- Live view frame rate up to 45 fps in full 4.1 MP resolution
- USB 3.0 / USB 3.1 Gen 1 interface
- Screw lock USB connector
- Supported by QuickPHOTO programs

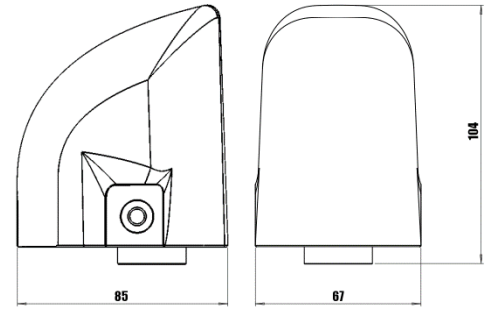
Suitable for Applications:

- Brightfield/Darkfield
- DIC
- Biology/Live Cell Imaging
- Histology/Pathology/Cytology
- Metrology/Mineralogy/Metallurgy/Geology
- Quality Control/Semiconductor Inspection
- Documentation and Archiving
- Education

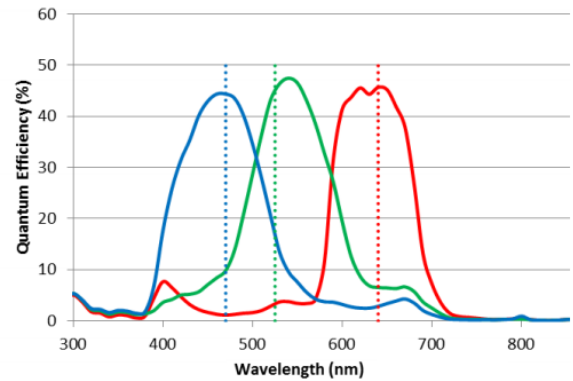


Sensor Specifications	
Sensor Type	CMOSIS CMOS, global shutter, color
Sensor Size	1" (11.26 x 11.26 mm)
Sensor Aspect Ratio	1:1
Pixel Size	5.5 x 5.5 μm
Resolution	2048 x 2048 pixels (4.1 MP)
Supported Software	
Software	QuickPHOTO in version 3.2 or higher (not included)
Camera Specification (when used with QuickPHOTO programs)	
Image Resolution	2048 x 2048, 1920 x 1080 pixels
Live View Resolution@Max. Frame Rate (fps)	2048 x 2048@45 fps 1920 x 1080 (Full HD - ROI)@84 fps
Lower Resolutions	ROI
Exposure Times	1/31000 s (32 μs) - 0.7 s (703 ms)
Gain	1 – 3x
Exposure Mode	Automatic, automatic-interactive, fluorescence (SFL Auto), manual
White Balance	Automatic, automatic-regional, manual
Black Balance	Automatic-regional, manual
Camera Characteristics	
Dynamic Range	53.19 dB
Saturation Capacity	8104 e-
Quantum Efficiency (green color 525 nm)	45 %
Read Noise	17.25 e-
Max. Signal to Noise Ratio	39.09 dB
Interface	USB 3.0 /USB 3.1 Gen 1 (backwards compatible with USB 2.0)
Mount	C-mount
Dimensions	67 x 85 x 104 mm
Weight	385 g
Tripod Mount	1/4" - 20 (under cap on both sides)
Recommended Microscope Coupler	0.63x or 1x C-mount
Minimal System Requirements	
Processor	Intel® Core i3
RAM	2 GB
Slot for USB 3.0 Interface Card	1x PCI EXPRESS 2.0 for desktop computers or 1x ExpressCard for laptops
Operating System	Microsoft® Windows® 7/8/8.1/10 (32bit or 64bit)
Recommended Computer Configuration	
Processor	Intel® Core i5 or better
RAM	4 GB
Slot for USB 3.0 Interface Card	1x PCI EXPRESS 2.0 for desktop computers or 1x ExpressCard for laptops
Operating System	Microsoft® Windows® 7/8/8.1/10 (64bit)

Dimensions (mm):



Quantum Efficiency:



Sample Images:

